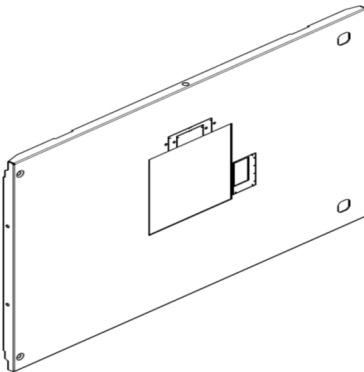


Product sheet



LEGRAND

Metal faceplate for XL³ S 4000 enclosures - 1 draw-out device without elcb in vertical position with motor-driven handle

REF. 021072 | EAN. 3414970972224

[> Visit e-catalogue](#)

Product characteristics

- Equipment for XL³ 4000 - for mounting on adjustable plates : DPX³ 630 plug - in, draw - out version or automatic transfer switches - Adjustable plates are used for front terminal/rear terminal connection and mounting of motor - driven or rotary handles
- Metal faceplates for draw - out devices - Faceplates with hinges and lockdevices in vertical position with motor - driven handle - For 1 device without elcb

Documentation

TECHNICAL DOCUMENTATION

 EXB15002_CA_XL3-4000-6300_EN.pdf | PDF (51.43Mo)

CATALOGUE PAGE & OTHERS

 ex223001_0388.pdf | PDF (0.07Mo)

 ex223001_0390.pdf | PDF (0.44Mo)